

lifetime limited warranty

Your Drive brand product is warranted to be free of defects in materials and workmanship for the lifetime of the original consumer purchaser.

This device was built to exacting standards and carefully inspected prior to shipment. This Lifetime Limited Warranty is an expression of our confidence in the materials and workmanship of our products and our assurance to the consumer of years of dependable service.

In the event of a defect covered by this warranty, we will, at our option, repair or replace the device.

This warranty does not cover device failure due to owner misuse or negligence, or normal wear and tear. The warranty does not extend to non-durable components, such as rubber accessories, casters, and grips, which are subject to normal wear and need periodic replacement.

If you have a question about your Drive device or this warranty, please contact an authorized Drive dealer.



© 2006 Medical Depot, Inc. All rights reserved.
Drive is a trademark of Medical Depot, Inc.
Port Washington N.Y. 11050 USA Made in China

deluxe bath bench



EU Authorized Representative
Drive Medical LTD
Ainley's Industrial Estate
Elland, West Yorkshire,
United Kingdom HX5 9JP

www.drivemedical.com

drive
MEDICAL DESIGN & MANUFACTURING

assembly instructions

1. Remove contents from box.
2. Lay seat upside down on a flat surface so the 4 leg receptacles are facing upward.
3. Insert first leg into the leg receptacle by depressing push pin. When the leg is in place, the brass push pin will extend out and lock the leg in place (Figure 1).
4. Repeat Step 3 for the remaining 3 legs.

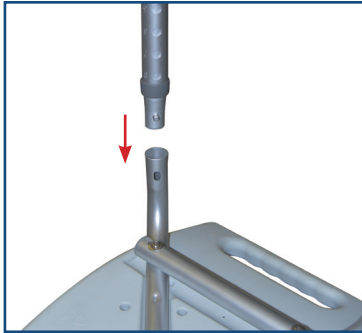
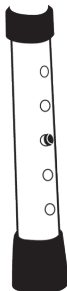


figure 1

adjusting leg height

1. Before use, adjust height of each leg to your specific needs, making sure all legs are at the same height. When desired height is reached, lock legs into place by aligning buttons into proper holes, per illustration.
2. To be sure legs are locked into place by pushing down on or by pulling legs.



additional precautions

1. Inspect all parts for shipping damage before assembly. If there is shipping damage - DO NOT USE. Contact dealer/carrier for further instructions.
2. Make certain that the height adjusting snap buttons fully protrude through the same respective hole of each leg extension. This will ensure that the leg extensions are securely locked in position and an even height is achieved.
3. Ensure ALL screws, nuts and/or bolts are tightened.
4. Check the rubber tips on the leg extensions for rips, wear or if they are missing. Immediately replace any or all if any of these imperfections exist.
5. All four leg extensions with rubber tips MUST touch the floor simultaneously at all times.
6. DO NOT stand on chair.

NOTE: To maintain the beauty of the original finish, clean with mild soap and rinse with warm water. Wipe bath seat dry after each use.

WEIGHT CAPACITY: 350 LBS.